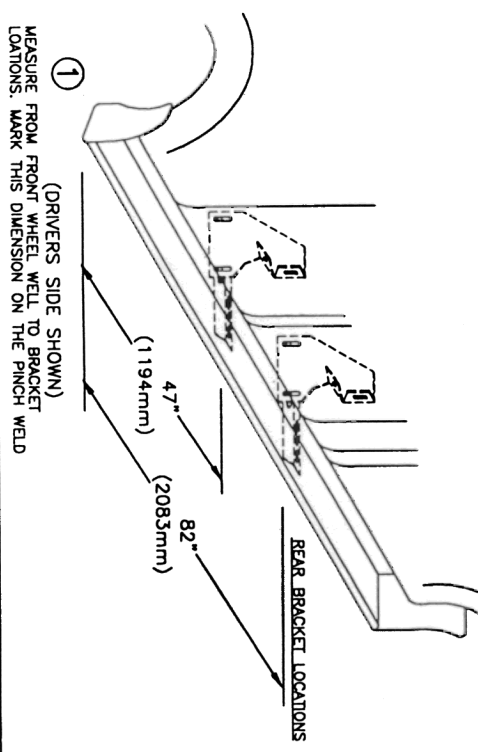
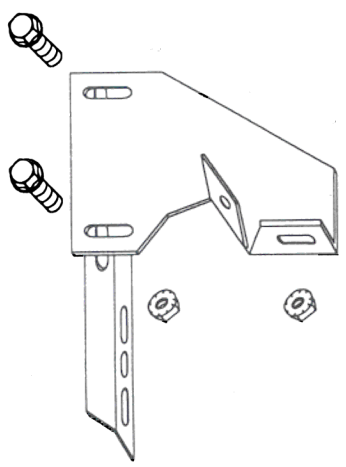


SOME BRACKETS INSTALL IN FACTORY HOLES

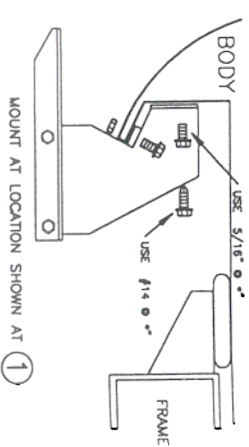
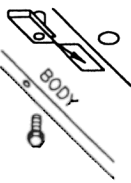
QTY.	DESCRIPTION	QTY.	DESCRIPTION
1	RUNNING BOARD 1 DRIVER & 1 PASSENGER	4	HORIZONTAL BRACKET, SUPPORT, 3124F
4	STONE GUARD 2 LEFT & 2 RIGHT	2	5/16" CUP NUT
8	3/8"x1 SELF TAPPING SCREW	14	5/16"x 3/4" BOLT
14	#14x3/4" TEK SCREW	12	5/16-18 HEX WASHER HEAD NUT
8	1/4x3/8" SQUARE HEAD SCREW	4	FLAT BRACKET, FL33 4", FL36 2"
8	1/4-20 HEX NUT		

**TOOLS REQUIRED:** 5/16" DRILL • 1/2" HEX SOCKET • 1/2" WRENCH • 5/16" NUT DRIVER • 3/8" NUT DRIVER


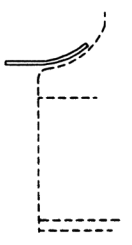
**2**  
BRACKET ASSEMBLY  
ASSEMBLE WITH 5/16" BOLTS



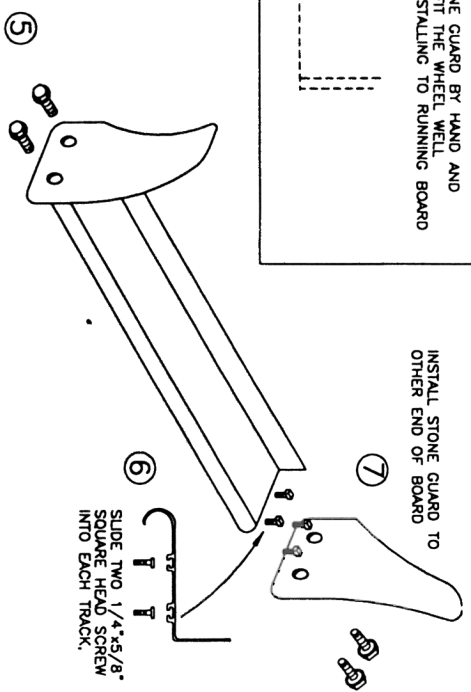
**3**  
SLIDE NUT CUP INTO BODY HOLES AT BRACKET LOCATION AT \*  
BRACKET ASSEMBLY MOUNT TO BODY \*  
ASSEMBLE WITH 5/16" BOLTS AND NUT CUP AND 5/16" BOLT  
BRACKET ASSEMBLY MOUNT TO BODY \*  
DRILL THROUGH PINCH WELD WITH A 5/16" DRILL ASSEMBLE WITH 5/16" BOLTS AND #14 SELF DRILLING SCREW



**4**  
BEND STONE GUARD BY HAND AND KNEE TO FIT THE WHEEL WELL BEFORE INSTALLING TO RUNNING BOARD



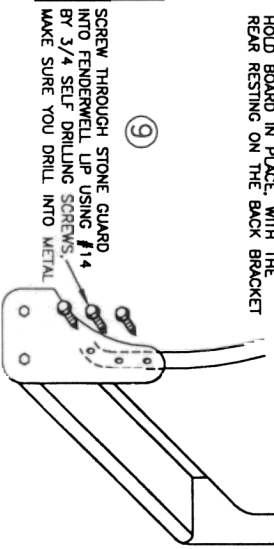
INSTALL STONE GUARD TO OTHER END OF BOARD



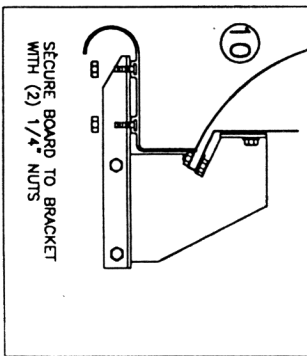
FASTEN FRONT STONE GUARD TO BOARD WITH 3/8" SELF TAPPING BOLT. BEND STONE GUARD BY HAND AND KNEE TO FIT THE WHEEL WELL

SLIDE TWO 1/4"x5/8" SQUARE HEAD SCREW INTO EACH TRACK.

**8**  
HOLD BOARD IN PLACE WITH THE REAR RESTING ON THE BACK BRACKET



NOTE: BE SURE THAT 1/4" BOLTS ARE PLACED INTO THE BRACKET STEP SUPPORT!



**9**  
SCREW THROUGH STONE GUARD INTO FENDERWELL LIP USING #14 BY 3/4 SELF DRILLING SCREWS. MAKE SURE YOU DRILL INTO METAL

**11**  
3 PLACES AT EACH STONE GUARD

**11**  
WITH BOARD LEVEL TIGHTEN ALL LOOSE BOLTS

**12**  
REPEAT FOR OTHER SIDE