



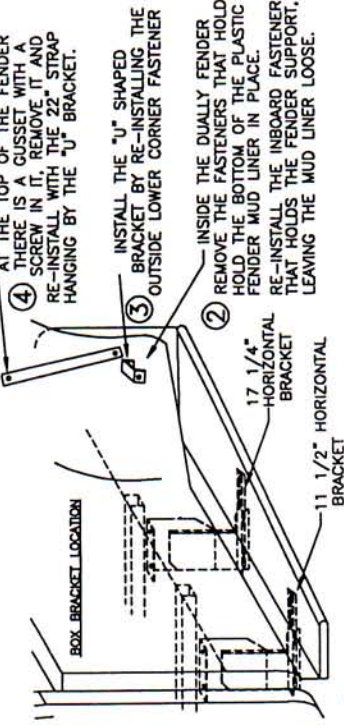
87-96 FORD DUALY BOARD

IN226
10/22/03

DRILLING INTO BODY AND FRAME IS REQUIRED.

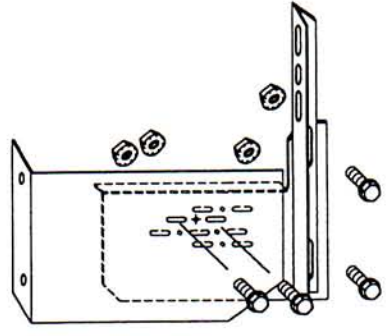
INSTALLATION PARTS LIST:	QTY.	DESCRIPTION	QTY.	DESCRIPTION
1	1	DUALY BOARD	1	DRIVER & 1 PASSENGER
2	1	STONE GUARD	1	LEFT & 1 RIGHT
3	8	3/8"x1 SELF TAPPING SCREW	24	5/16"x 3/4" BOLT
4	6	#14x3/4" SHEET METAL SCREW	20	5/16-18 HEX WASHER HEAD NUT
5	8	1/4x5/8" SQUARE HEAD SCREW	4	FLAT BRACKET, FL74
6	8	1/4-20 HEX NUT	4	FLAT BRACKET, FL73 D&P
7	1	END CAP	2	HORIZONTAL BRACKET, 11 1/2", 3124F
8	1	ANGLE SUPPORT, BA01	2	HORIZONTAL BRACKET, 17 1/4", 3124G
9	2	"U" BRACKET	2	#14 X 3/4 TEK SCREW
			2	22" STRAP

TOOLS REQUIRED: 5/16" DRILL • 1/2" HEX SOCKET • 1/2" WRENCH • 5/16" NUT DRIVER • 3/8" NUT DRIVER



① LOCATE THE FIRST BED CROSS BRACE BEHIND THE CAB (DRIVERS SIDE SHOWN)

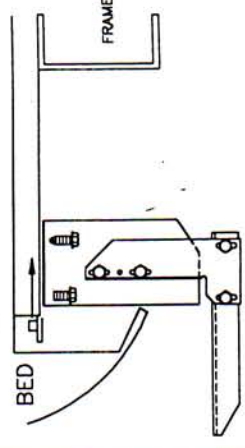
⑤ BRACKET ASSEMBLY ASSEMBLY WITH 5/16" BOLTS



⑥

PREDRILL A 5/16" HOLE NEAR THE END OF THE CROSSBRACE. SLIDE NUT CUP INTO END OF CROSS BRACE AT BRACKET LOCATION

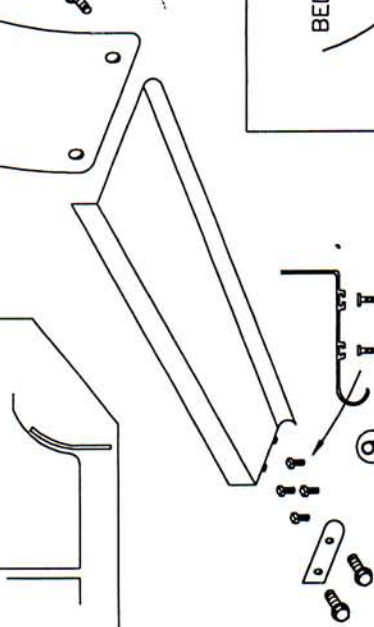
BRACKET ASSEMBLY MOUNT TO BED ASSEMBLY WITH 5/16" BOLTS AND NUT CUP AND #14 SELF DRILLING SCREW



MOUNT AT LOCATION SHOWN AT ①

⑦ BEND STONE GUARD BY HAND AND KNEE TO FIT THE WHEEL WELL BEFORE INSTALLING TO RUNNING BOARD

⑧ FASTEN REAR STONE GUARD TO BOARDS WITH 3/8" SELF TAPPING BOLT. BEND STONE GUARD BY HAND AND KNEE TO FIT THE WHEEL WELL



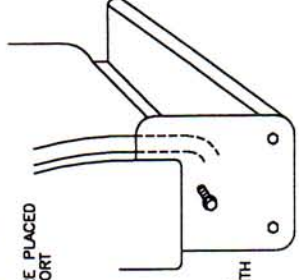
⑨ SLIDE TWO 1/4"x5/8" SQUARE HEAD SCREW INTO EACH TRACK,

⑩ INSTALL END CAP TO BOARD WITH 3/8" SELF TAPPING BOLT

⑫

HOLD BOARD IN PLACE, WITH THE FRONT RESTING ON THE BOX BRACKET

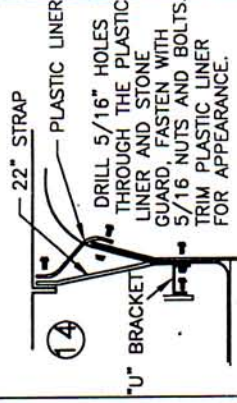
NOTE: BE SURE THAT 1/4" BOLTS ARE PLACED INTO THE BRACKET STEP SUPPORT



⑬

DRILL 5/16" THROUGH STONE GUARD LINING UP WITH THE HOLE IN THE "U" BRACKET. FASTEN THROUGH STONE GUARD 22" STRAP AND "U" BRACKET WITH 5/16" NUTS AND BOLTS

⑭ SECURE BOARD TO BRACKET WITH (2) 1/4" NUTS



⑮ WITH BOARD LEVEL TIGHTEN ALL LOOSE BOLTS

⑮ REPEAT FOR OTHER SIDE

BOXFRD
IN226
10/22/03

OWENS PRODUCTS 1000 PROGRESS STREET STURGIS, MI 49091 816-851-2300 TOLL-FREE: 800-728-9367 FAX 816-851-9326 WEB: www.owens-pds.com