

Installation Guide

Ford F150 Pickup

Product No.

2004 to Current

Super Cab

With Flares 3143
Without Flares 3144

Super Crew

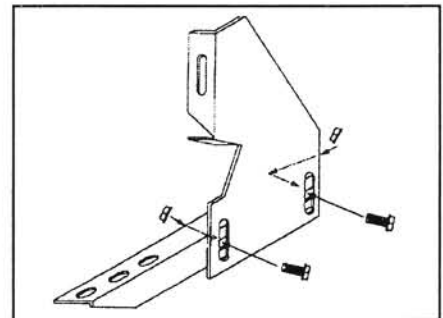
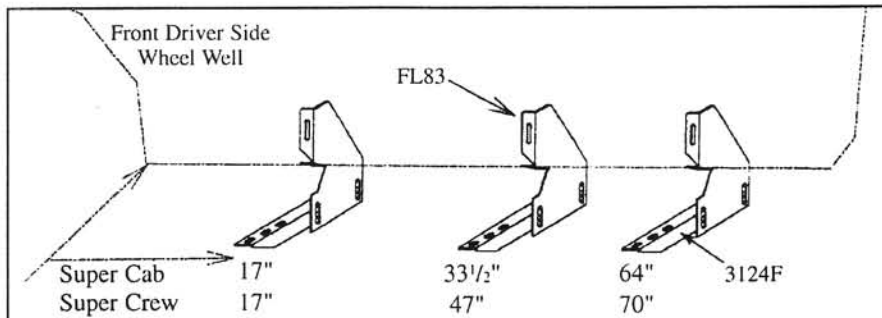
With Flares 3145
Without Flares 3146

Note: Drilling into body is not required.

		Qty.	Description	Qty.	Description
Installation Parts List:	A	1	GlaStep #3143-D or #3144-D	F	6 Step Supports #3124F
	B	1	GlaStep #3143-P or #3144-P	G	24 5/16" x 3/4" Washer Head Bolts
	C	2	Foam Tape Strips	H	18 5/16" Washer Head Nuts
	D	2	Step Pads	I	8 #12 x 1-1/4" Self-Drilling Screws w/Rubber Washers
	E	6	Flat Brackets #FL83	J	12 #14 x 3/4" Self-Drilling Screws
				K	6 Clip Nuts

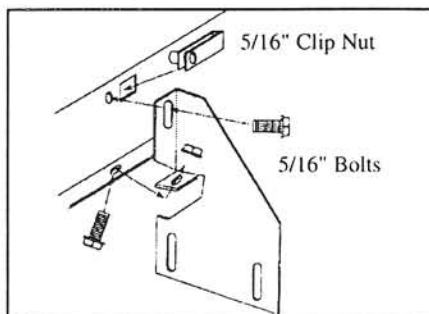
Tools Required: 5/16" Drill • 1/2" Hex Socket • 1/2" Wrench • 5/16" Nut Driver • 3/8" Nut Driver

- Prior to painting, fit your GlaSteps to the body.** A good fit is accomplished when mating surfaces fit with minimum light gaps. Note: Vehicle bodies have variations and a perfect fit may not be possible.
- Painting your GlaSteps.** To insure a proper paint finish, use a top quality auto paint system and follow the manufacturers instructions. Your GlaStep should be sanded and primed before painting.

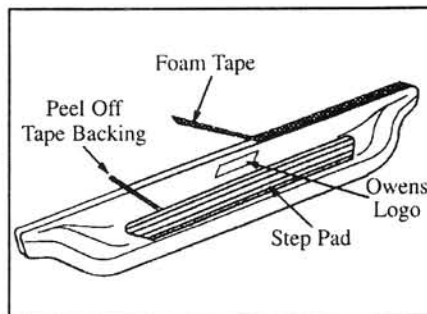


- Measure** from front wheel well, back to locations shown above. Mark these bracket location centers. Note: Steel plates have been inserted under fiberglass to mount brackets securely using self-drilling screws.

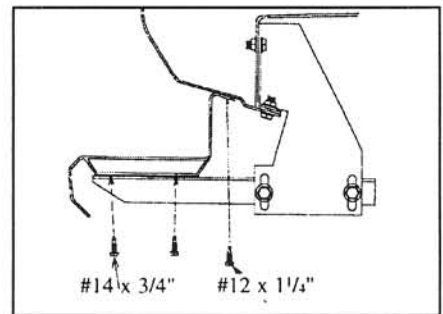
- Assemble FL83 to 3124F using two 5/16" nuts and bolts. **Do not tighten at this time.**



- Find 5/16" holes in pinch weld at 33 1/2" and 64" marks. Secure top of FL83 to rocker panel using 5/16" clip nut in factory locations.



- Clean surface prior to attaching tape and step pads with denatured alcohol. Apply foam tape to top lip of board. Position step pad on stepping surface. Peel off tape backing starting with rear strip. Keep pad in position, peel off backing then apply pressure to top of pad to stick tape to board. Continue above steps for all tape strips.



- Secure GlaStep to body with #12 x 1 1/4" self-drilling screws with rubber washers. Secure step support bracket to bottom of GlaStep using two #14 x 3/4" self-drilling screws per bracket. **Tighten all bolts to 18 foot pounds.**

IN195 11/12/03