

Installation Guide

Ford Super Duty

Product No.

1999 to Current

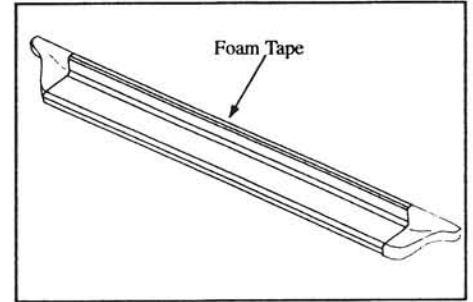
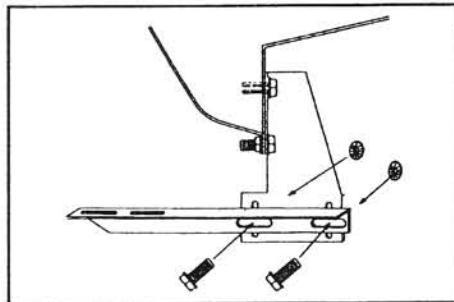
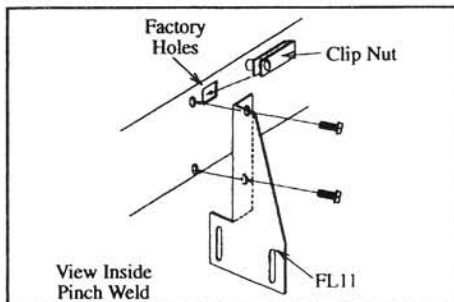
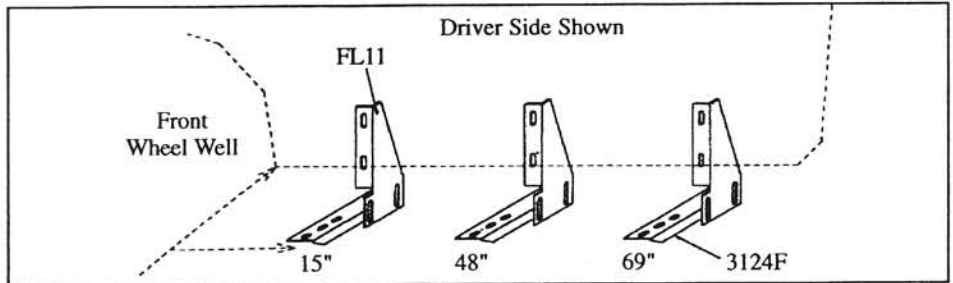
Extended Cab

3111

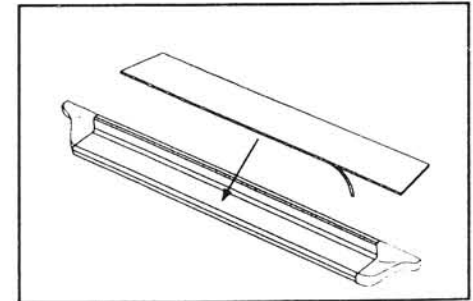
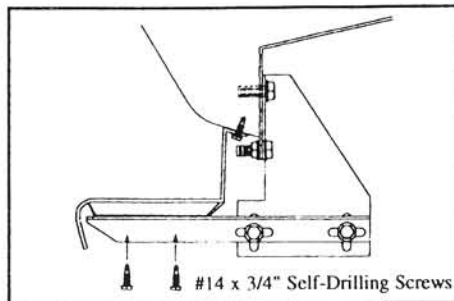
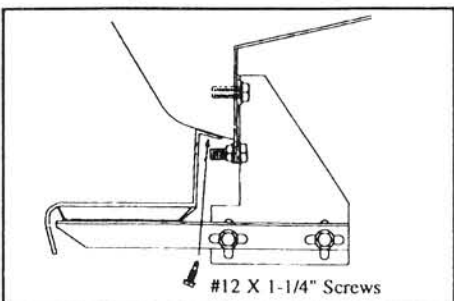
Installation Parts List:		Qty.	Description	Qty.	Description
A	1	GlaStep #3111-D (Driver Side)	G	24	5/16" Washer Head Bolts
B	1	GlaStep #3111-P (Passenger Side)	H	18	5/16" Washer Head Nuts
C	2	Step Pads	I	6	5/16" Clip Nuts
D	2	Foam Tape Strips	J	6	#12 x 1-1/4" Self-Drilling Screws with Rubber Washers
E	6	Flat Brackets #FL11	K	12	#14 x 3/4" Self-Drilling Screws
F	6	Step Supports #3124F			

Tools Required: 5/16" Drill • 1/2" Hex Socket • 1/2" Wrench • 5/16" Nut Driver • 3/8" Nut Driver

- Prior to painting, fit your GlaSteps to the body.** A good fit is accomplished when mating surfaces fit with minimum light gaps. Note: Vehicle bodies have variations and a perfect fit may not be possible.
- Painting your GlaSteps.** To insure a proper paint finish, use a top quality auto paint system and follow the manufacturers instructions. Your GlaStep should be sanded and primed before painting.
- Measure** from front mud flap to three bracket hole locations at 15", 48" and 69". Mark these bracket locations. Note: Steel plates have been inserted under fiberglass to mount brackets securely using self-drilling screws.



- Mount brackets to body with 5/16" bolt and nuts, through existing holes in vehicle at marked locations. Use clip nuts in top holes. **Do not tighten nuts.**
- Attach 3124F step supports to FL11 using 5/16" washer head bolts and nuts.
- Apply foam tape strips to top GlaStep edge.



- Position GlaStep to body and secure with three #12 x 1-1/4" screws with rubber washers per side.
- Secure bracket to GlaStep with two #14 x 3/4" self-drilling screws per bracket. **Tighten all bolts to 18 foot pounds.**
- Place step pad on GlaStep. Peel off tape backing to secure. **Don't forget the Owens label!**

IN-119 7/1/02