



**07-08 Chevy/GM
2" Leveling Kit
Installation Instructions
Part # C720MS**

REQUIRED TOOL LIST:

- **Metric/Standard Wrenches & Sockets**
- **Floor Jack**
- **Jack Stands**
- **Measuring Tape**
- **Torque Wrench**



Before beginning the installation, read these instructions and the enclosed driver's WARNING NOTICE thoroughly and completely. Also affix the WARNING decal in passenger compartment in clear view of all occupants. If any of these items are missing from this instruction packet, do not proceed with installation, but call SKYJACKER[®] to obtain needed items. If you have any questions or reservations about installing this lift kit, call SKYJACKER[®] at 318-388-0816 for Technical Assistance or Customer Service departments.

Make sure you park the vehicle on a level concrete or asphalt surface. Many times a vehicle is uneven (side-to-side) from the factory, but usually not noticed until a lift kit has been installed which makes the difference more visible. Using a measuring tape, measure the front and rear (both sides) from the ground up to the center of the fender opening above the axle. Record below for future reference.

IMPORTANT NOTES:

- Please refer to Parts List to insure that all parts and hardware are received prior to disassembly of vehicle. If any parts are found to be missing, contact your dealer as soon as possible.
- If larger tires (10% more than stock diameter) are installed, speedometer recalibration is necessary (see Chevy/GM dealer or Tire Store).
- After installation, a qualified alignment facility is required to align the vehicle to factory specs.

Kit Box Breakdown:

C720MS:

Main Component Box

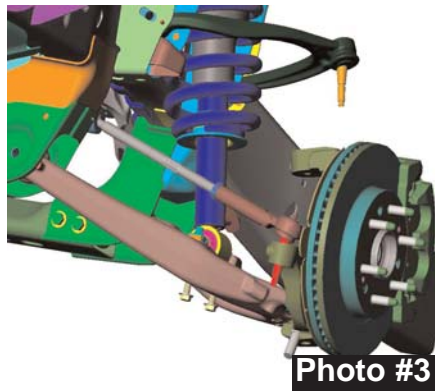
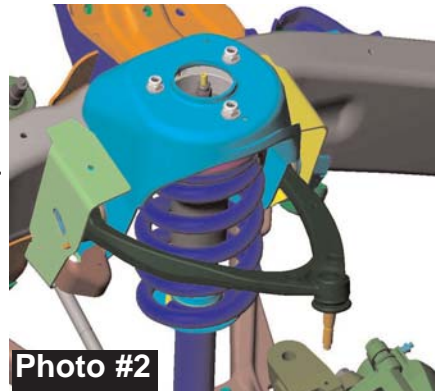
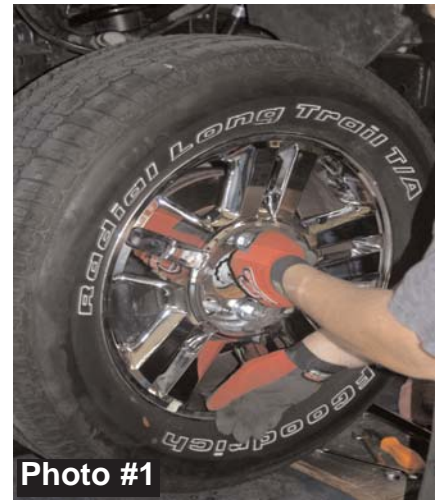
<u>ITEM#</u>	<u>DESCRIPTION</u>	<u>QTY</u>
C720MS-S	07-08 Chevy/GM 2" ALUM FRONT SPACER	2
HB-C720MS	Hardware Bag	1

HB-C720MS

10MMN	10 MM Nut	6
38SAEW	3/8 washer	6
7/16FTN	7/16 Fine Thread Nut	6
7/16SAEW	7/16 Washer	6
7/16x2DES	7/16 x 2" Double Ended Stud	6
LT100	Thread Lock Tube	6

Front Installation:

1. Secure and properly block the tires of vehicle on a level concrete or asphalt surface.
2. Raise the vehicle from the front center cross member and remove tires and wheels. (See Photo #1)
3. Disconnect outer tie rod from steering knuckle. Disconnect the Upper A-Arm ball joint from the top of the steering knuckle. (See Photo #2)
5. Disconnect Strut from upper tower mount. Disconnect the lower strut mounting bolts from the lower A-Arm. Disconnect sway bar end link. (See Photo #3). Remove Struts from vehicle.
6. With Struts removed, apply thread locking compound to the threads. (See Photo #4) Note: Make sure that the factory stud length is 7/8" long. Some studs will need to be trimmed.
7. Install aluminum spacer on to the top of the factory strut. (See Photo #5). Install strut assembly. (Note: Passenger strut will be installed on Driver side & Driver on Passenger.) Attach to the factory upper tower mount using the factory fasteners. (See Photo #6)
8. Re-Attach lower strut mount @ A-Arm, upper ball joint, outer tie rod end and sway bar link. Re-Install tires and wheels.



FINAL NOTES:

- * After installation is complete, double check that all nuts and bolts are tight. Do Not re-tighten nuts/bolts where thread locking compound was applied.
- * Check to ensure there is adequate clearance between All rotating, mobile and fixed members. Check clearance between inner side wall of tires.
- * Ensure there is adequate clearance between exhaust and brake lines, fuel lines, fuel tank, floor board, and wiring harnesses. Check steering gear for interference and proper working order. Inspect brake lines for damage and adequate clearance. Test brake system.
- * With the vehicle on the floor, cycle steering lock to lock and inspect steering, suspension, drive line and brake line systems for proper operation, tightness and adequate clearance.
- * Have headlights readjusted to proper settings.
- * **Front end realignment is necessary so have a qualified alignment center realign front end to factory specifications.**



Photo #4
I-C720MS



Photo #5

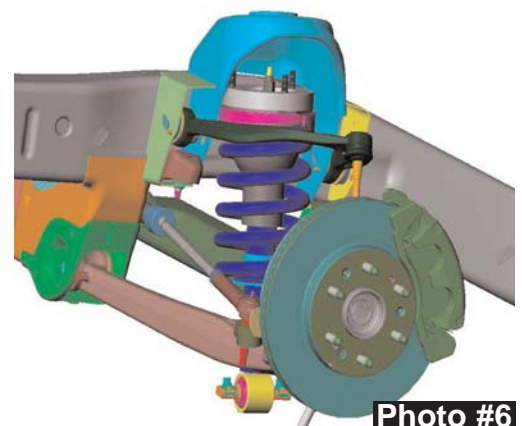


Photo #6
Pg 3