



**PLEASE READ CAREFULLY BEFORE PROCEEDING WITH INSTALL**

---

**Product Disclaimer**

---

- A vehicle modified by the use of competition product(s) for use on public roadways may not meet local, state, or federal regulations. Installation and use of this competition product(s) may also affect vehicle insurance coverage. It is the purchaser's responsibility to meet and comply with regulations and policies before operating vehicle on public roadways.
- There is no warranty stated or implied due to the unusual stress placed on competition product(s) and/or the inability to monitor their modification, installation, and use. The entire risk of quality, performance, and defect is with the purchaser and not the manufacturer, distributor, or retailer. Should any product(s) prove to be defective for any reason under any circumstance, the purchaser and not the manufacturer, distributor, or retailer will assume financial responsibility for any consequential damages, repairs/service, and any other liability.
- Group-A Autosports, Inc., does not guarantee ride quality for the following reasons:
  - a. Ride quality is entirely a subjective opinion
  - b. Proper installation is not guaranteed
  - c. Road condition vary
  - d. Shocks/struts quality and condition vary
  - e. Ride height adjustments will vary
- Return of product(s) will be accepted ONLY if product(s) is in resellable condition. All accepted returns will be subjected to a 20% restocking fee. **ABSOLUTELY NO RETURNS ON USED PRODUCTS.** For more information on return policy, please call 951-808-9888.

**Part # 541-05-1220**  
**Skunk2 Sport Shock Set**  
**96-00 Civic, Del Sol**

---

**Included items with Skunk2 Sport Shock System - Please inspect each item for defects before installation**

---

- (2) Skunk2 Sport shock absorbers (front assembly)
- (2) Skunk2 Sport shock absorbers (rear assembly)
- (8) Damper mounting rubber
- (4) Spacers (for use with 96-00 Civic rear shocks only)

**INSTALLATION - Before the removal and installation of parts, please refer to the factory service manual.**

---

**Note:**

- It is recommended that this coilover kit product be installed by a trained technician/professional.
  - For factory strut removal instructions and diagrams, please refer to the factory service manual, or equivalent.
  - DO NOT disassemble and/or modify the shock absorber assembly. Doing so may damage the shock absorber and will void the warranty.
  - Be careful not to damage the piston rod. Scratches, indentations, bends or any other damage to the piston rod will make the shock absorber unusable and will void the warranty.
  - Make sure that all factory parts to be installed on the Skunk2 shock absorbers are in good condition. Any parts that are damaged or deteriorated must be replaced. The use of damaged or deteriorated parts in conjunction with the Skunk2 shock absorber will void the warranty.
-

## Reference Diagrams

### Front assembly

Front damper removal:

1. Refer to the factory service manual for proper removal of the damper.
2. Carefully disassemble the stock damper as several parts from this will be installed onto the Skunk2 shock absorber. Refer to the factory service manual for proper disassembly instructions.

Skunk2 shock absorber assembly and installation:

\*\*\*\*\*

**CAUTION:** Make sure that the factory parts are not damaged or deteriorated.

\*\*\*\*\*

1. Assemble the Skunk2 shock absorber using factory parts as follows:
  - a. Install the factory bump stop plate onto the Skunk2 bump stop.
  - b. Install the factory dust cover and dust cover plate onto the Skunk2 shock.
  - c. Install the spring.
  - d. Install the factory spring mounting rubber onto the spring.
  - e. Install the Skunk2 damper mounting rubber.
  - f. Install the factory damper mounting base and mounting collar.
  - g. Install the Skunk2 damper mounting rubber.
  - h. Install the factory damper mounting washer.
  - i. Install the factory self locking nut. (tighten to 22lbf-ft).

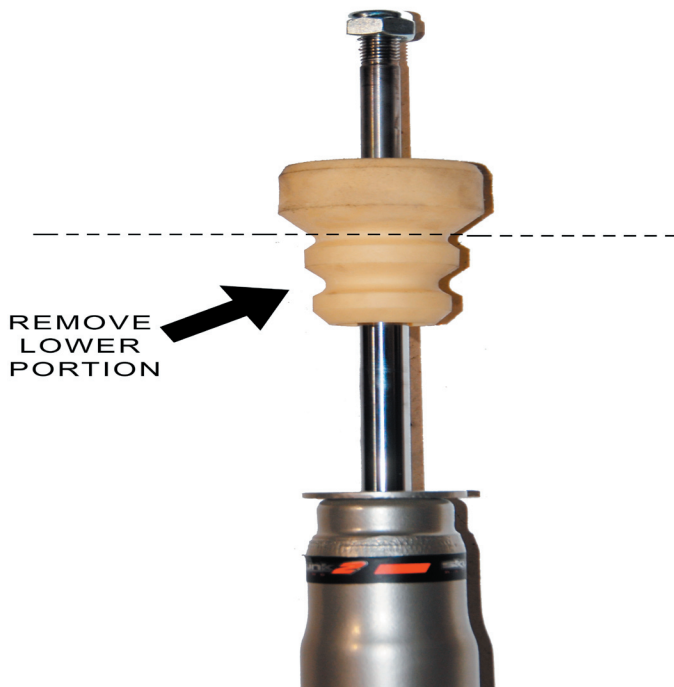
\*\*\*\*\*

**CAUTION:** When tightening the nut, do not damage the piston rod.

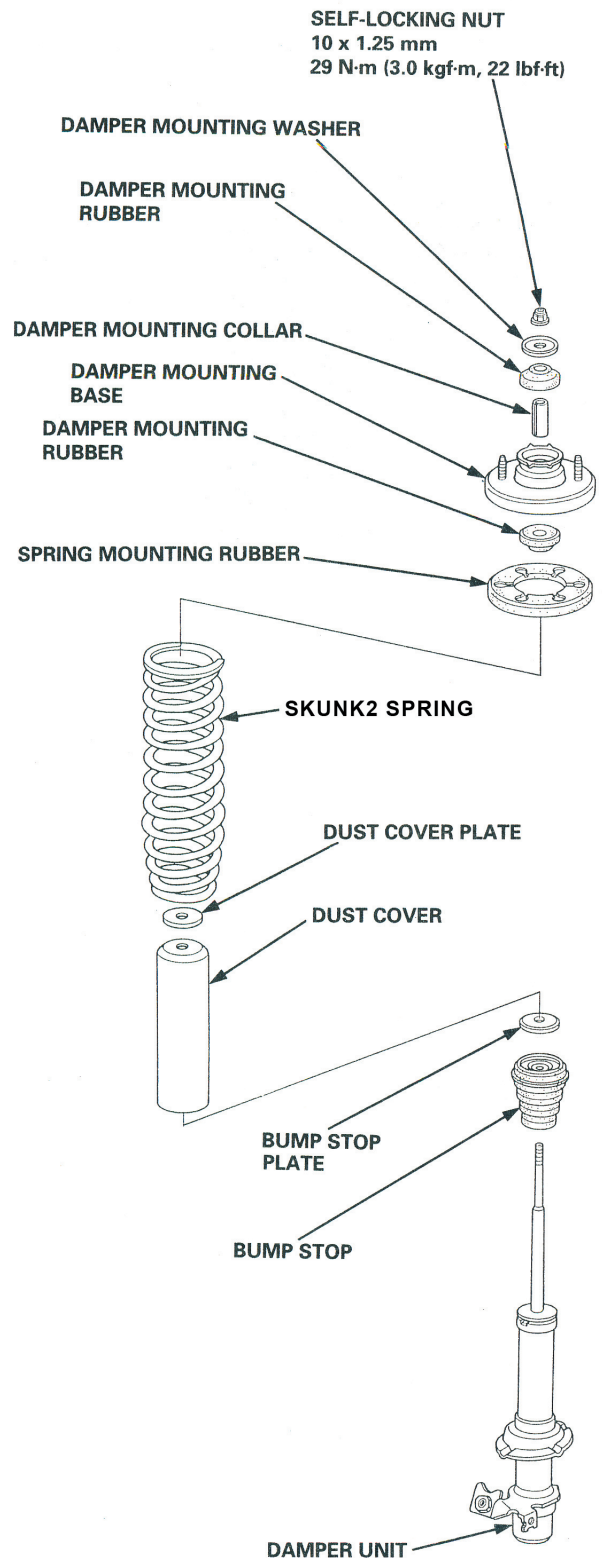
\*\*\*\*\*

2. Install the Skunk2 shock absorber. Refer to the factory service manual for proper installation and torque specifications for all nuts and bolts.

**When using lowering springs, cut bump stop and use upper portion.**



All except Type R Models:



## Reference Diagrams

### Rear assembly

#### Rear damper removal:

1. Refer to the factory service manual for proper removal of the damper.
2. Carefully disassemble the stock damper as several parts from this will be installed onto the Skunk2 shock absorber. Refer to the factory service manual for proper disassembly instructions.

#### Skunk2 shock absorber assembly and installation:

\*\*\*\*\*

**CAUTION:** Make sure that the factory parts are not damaged or deteriorated.

\*\*\*\*\*

#### 1. Assemble the Skunk2 shock absorber using factory parts as follows:

- a. Install the bump stop plate onto the Skunk2 bump stop.
- b. Next install the dust cover boot, dust cover and dust cover plate.
- c. Install the spring onto the Skunk2 shock.
- d. Install the factory spring mounting rubber.
- e. Install the Skunk2 damper mounting rubber.
- f. Install the factory damper mounting base and collar.
- g. Install the Skunk2 damper mounting rubber.
- h. Install the factory damper mounting washer.
- i. Install the factory self-locking nut (tighten to 22lbf-ft).

\*\*\*\*\*

**CAUTION:** When tightening the nut, do not damage the piston rod.

\*\*\*\*\*

2. Install the Skunk2 shock absorber. Refer to the factory service manual for proper installation and torque specifications for all nuts and bolts.

#### All except Type R Models:

